

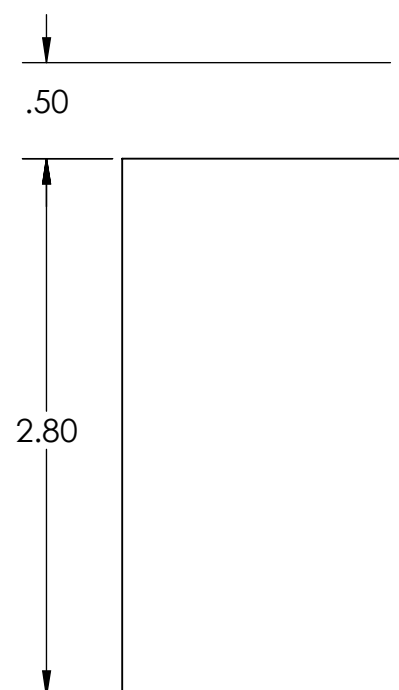
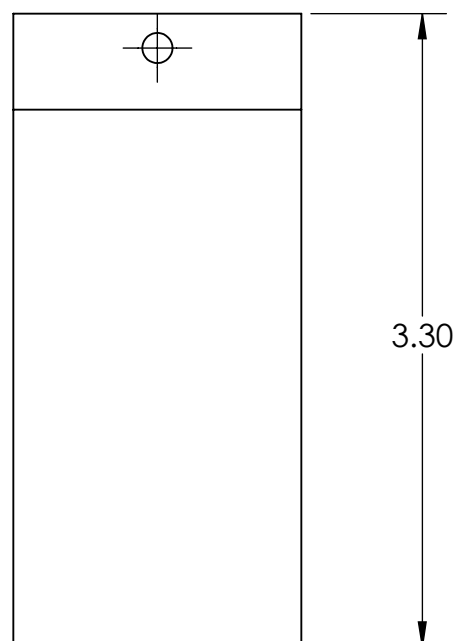
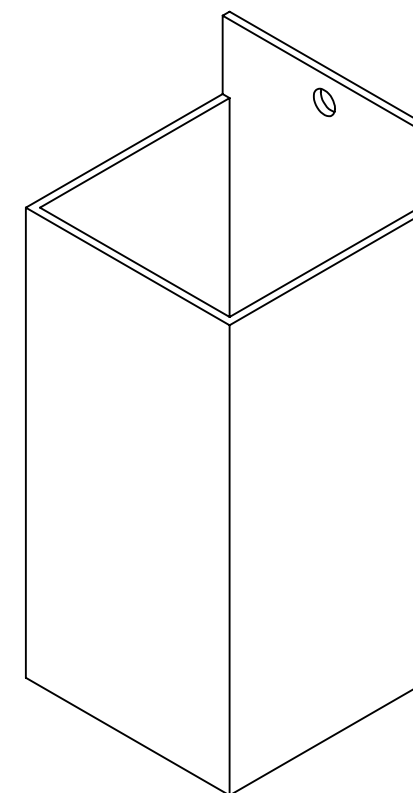
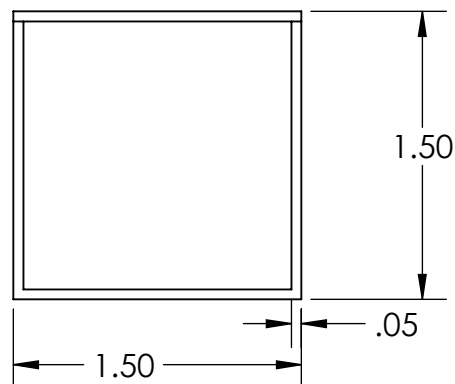
4

3

2

1

REVISIONS - BALLOONS DENOTE CHANGES			
REV.	DESCRIPTION	DATE	APPROVED
B		11/14/2017	ZAG



UNLESS OTHERWISE SPECIFIED:		NAME	DATE	
DIMENSIONS ARE IN INCHES		DRAWN	ZAG 11/14/17	
TOLERANCES:		CHECKED		
SURFACE FINISH: 125 RMS		ENG APPR.		
ANGULAR: ±.5 DEG		MFG APPR.		TITLE: FABRICATION DRAWING, WILLIAMS SUPPORT LEG
LINEAR: .X ±.02				
THIRD ANGLE PROJECTION:		INTERPRET GEOMETRIC TOLERANCING PER: ASME Y14.5-2009		SIZE DWG. NO. REV B SL09402
MATERIAL 6063 T5		PROPRIETARY AND CONFIDENTIAL THE INFORMATION CONTAINED IN THIS DRAWING IS THE SOLE PROPERTY OF UltraLox. ANY REPRODUCTION IN PART OR AS A WHOLE WITHOUT THE WRITTEN PERMISSION OF UltraLox.		
FINISH		SCALE: 1:1		WEIGHT:
DO NOT SCALE DRAWING		SHEET 1 OF 1		

4

3

2

1

B

B

A

A