

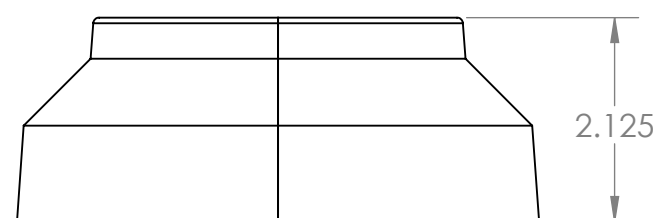
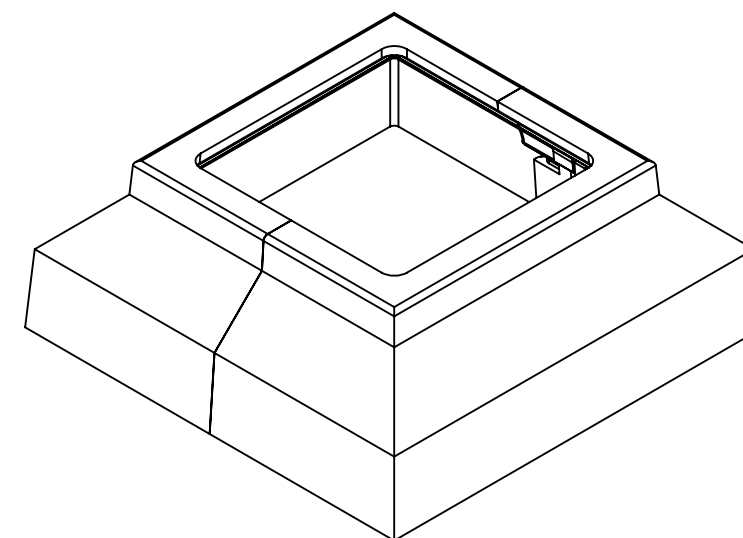
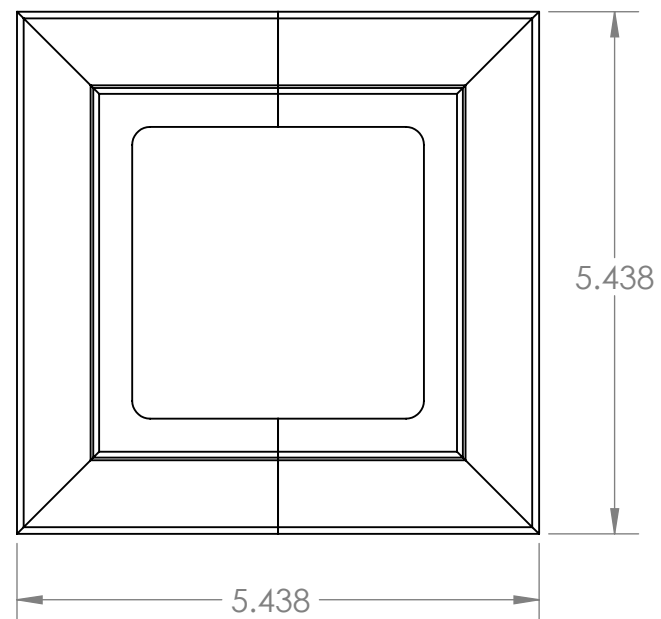
4

3

2

1

REVISIONS - 0 BALLOONS DENOTE CHANGES			
REV.	DESCRIPTION	DATE	APPROVED
A		5/2/2017	ZAG



UNLESS OTHERWISE SPECIFIED:		NAME	DATE		
DIMENSIONS ARE IN INCHES		DRAWN	ZAG		5/2/17
TOLERANCES:		CHECKED			
SURFACE FINISH: 125 RMS		ENG APPR.			
ANGULAR: ±.5 DEG		MFG APPR.			
LINEAR: .X ±.02		INTERPRET GEOMETRIC TOLERANCING PER: ASME Y14.5-2009		TITLE:	
.XX ±.010				GENERIC DRAWING,	
.XXX ±.005				3" BASE SKIRT	
THIRD ANGLE PROJECTION:				ASSEMBLY DIMENSIONS	
MATERIAL		PROPRIETARY AND CONFIDENTIAL THE INFORMATION CONTAINED IN THIS DRAWING IS THE SOLE PROPERTY OF UltraLox. ANY REPRODUCTION IN PART OR AS A WHOLE WITHOUT THE WRITTEN PERMISSION OF UltraLox.		SIZE DWG. NO.	
FINISH				B	
DO NOT SCALE DRAWING				REV A	
		SCALE: 1:2	WEIGHT:	SHEET 1 OF 1	

4

3

2

1

B

B

A

A