



# ALUMINUM GATE INSTALLATION INSTRUCTIONS

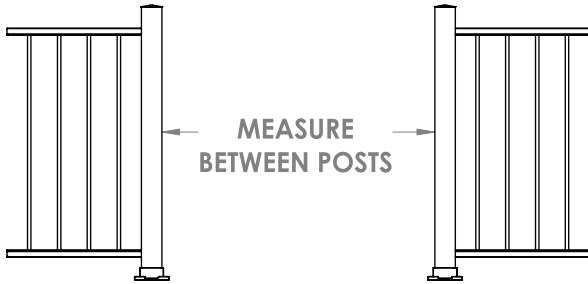
**Suggested Tools:** Cordless Drill      Pencil  
 Tape Measure      #2 Sq. Driver Bit  
 Safety Glasses      1/8" Drill Bit  
 Miter Saw w/ Non-Ferrous Blade

**STEP ONE:** Remove all items from package.

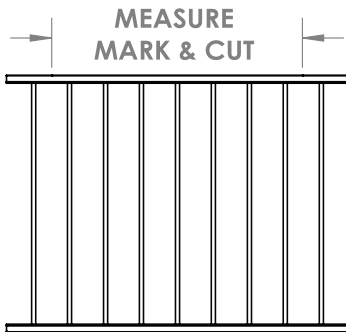
Kit Includes:

- One (1) - Picket Panel
- Two (2) - Snap Covers
- Two (2) - Gate End Posts w/ Welded Rods
- Sixteen (16) - 3/4" Self Tapping TEK Screws
- Two (2) - Self-Closing Hinges
- One (1) - Locking Latch Kit w/ Key
- Four (4) - Gate Support Brackets
- Sixteen (16) - Color Matched TEK Screws

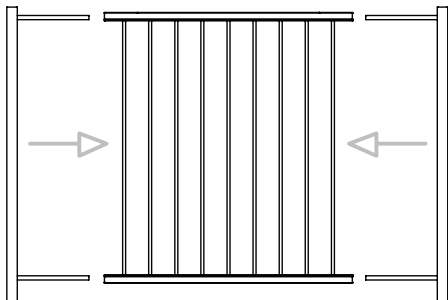
**STEP TWO:** Measure gate opening between posts.



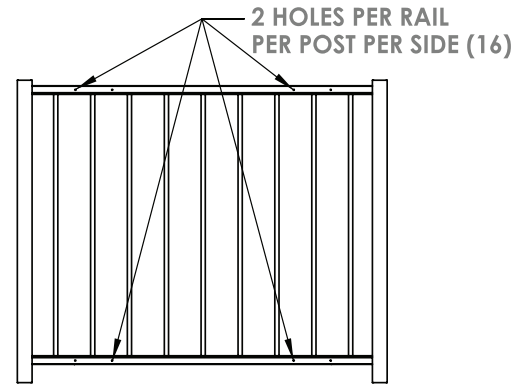
**STEP THREE:** Picket Gate Panel (without Gate End Posts) must be exactly 4.5" less than gate opening. Deduct 4.5" from opening measurement and cut both panel ends, leaving equal picket spacing.



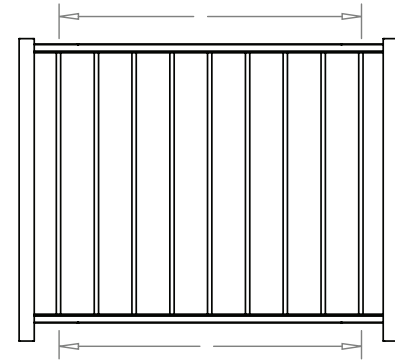
**STEP FOUR:** Insert Gate End Posts into panel upper and lower horizontal channels.



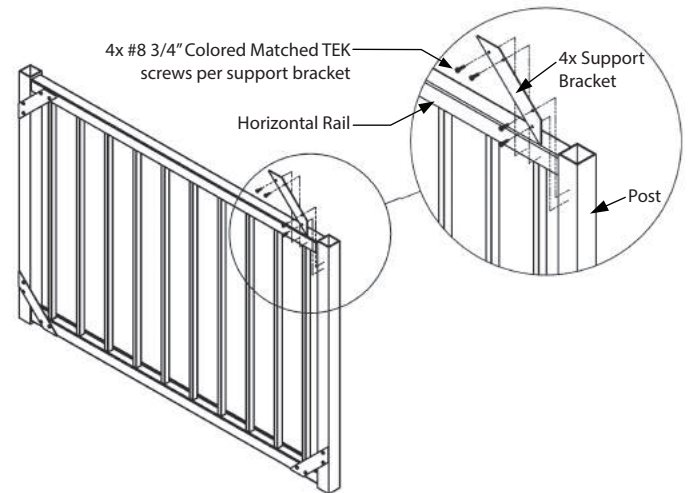
**STEP FIVE:** Drill 16 - 1/8" holes as per diagram and install 3/4" TEK screws to secure gate ends to panel.



**STEP SIX:** Measure between Gate End Posts, deduct 1/16", cut top/bottom snap covers. Once cut, position snap covers over top/bottom horizontal channels and press in place.



**STEP SEVEN:** To install Support Bracket, first attach Support Bracket to Post using 2x #8 x 3/4" TEK screws as shown, then press Support Bracket against Horizontal Rail, drill 2x 1/8" pilot holes and secure using remaining 2x #8 x 3/4" TEK screws. Repeat for remaining brackets.



**STEP EIGHT:** Install gate hinges per instructions provided in hinge package.

**STEP NINE:** Install gate latch as per instructions provided in latch package.

Installation Videos available at:  
**WILLIAMSRAILING.COM**