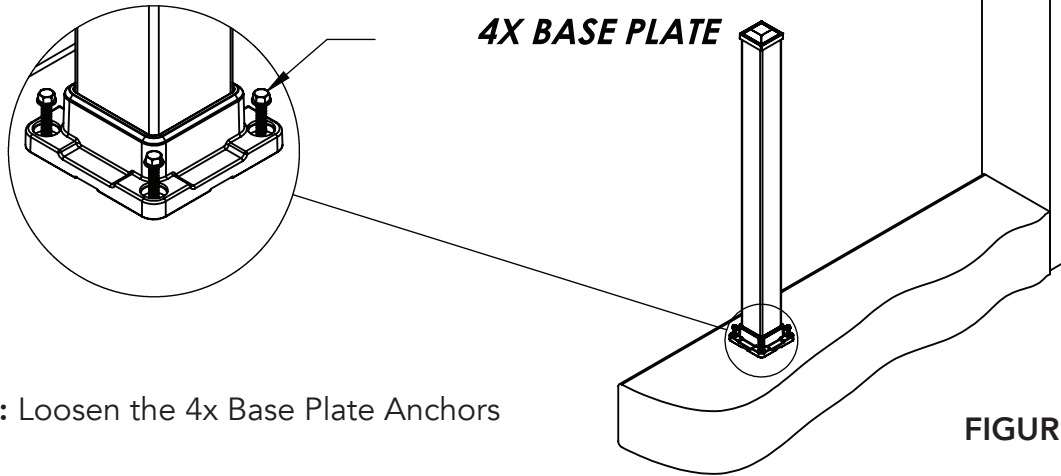


WALL MOUNTING INSTRUCTIONS



STEP ONE: Loosen the 4x Base Plate Anchors (Figure 1).

FIGURE 1

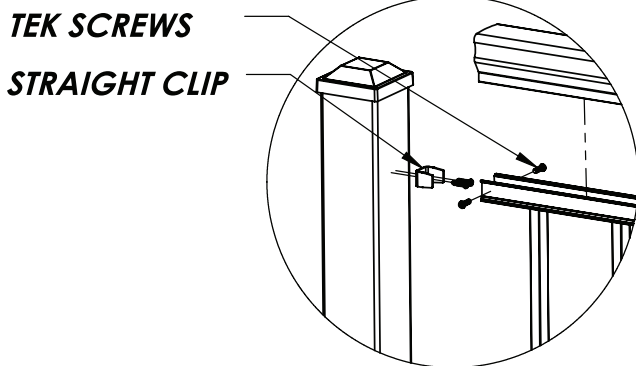


FIGURE 2

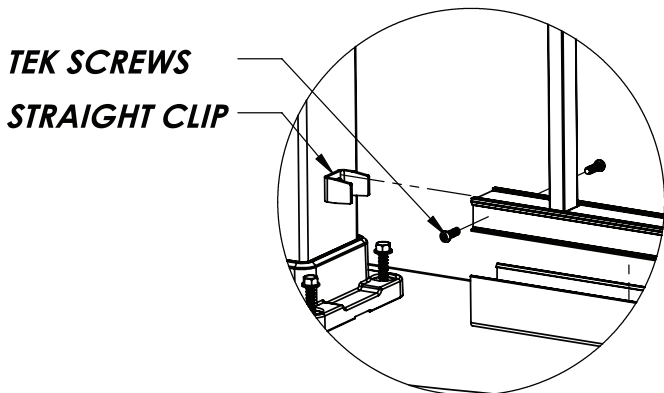


FIGURE 3

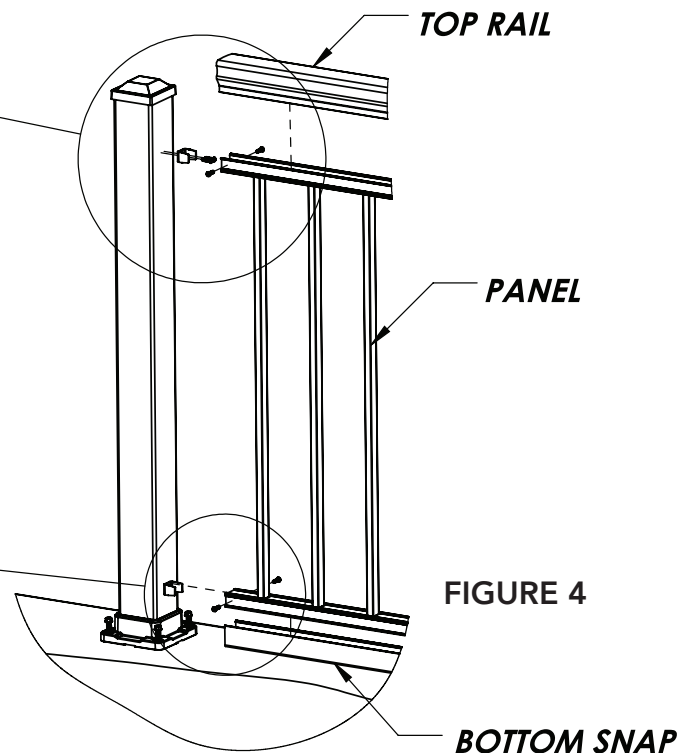


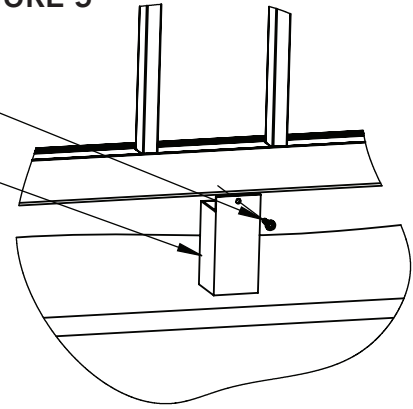
FIGURE 4

STEP TWO: Attach panel to post with standard method using straight clips and tek screws (Figure 2&3).

STEP THREE: Attach top rail and bottom snap to panel (Figure 4).

FIGURE 5

COLORED TEK SCREWS
SUPPORT LEG

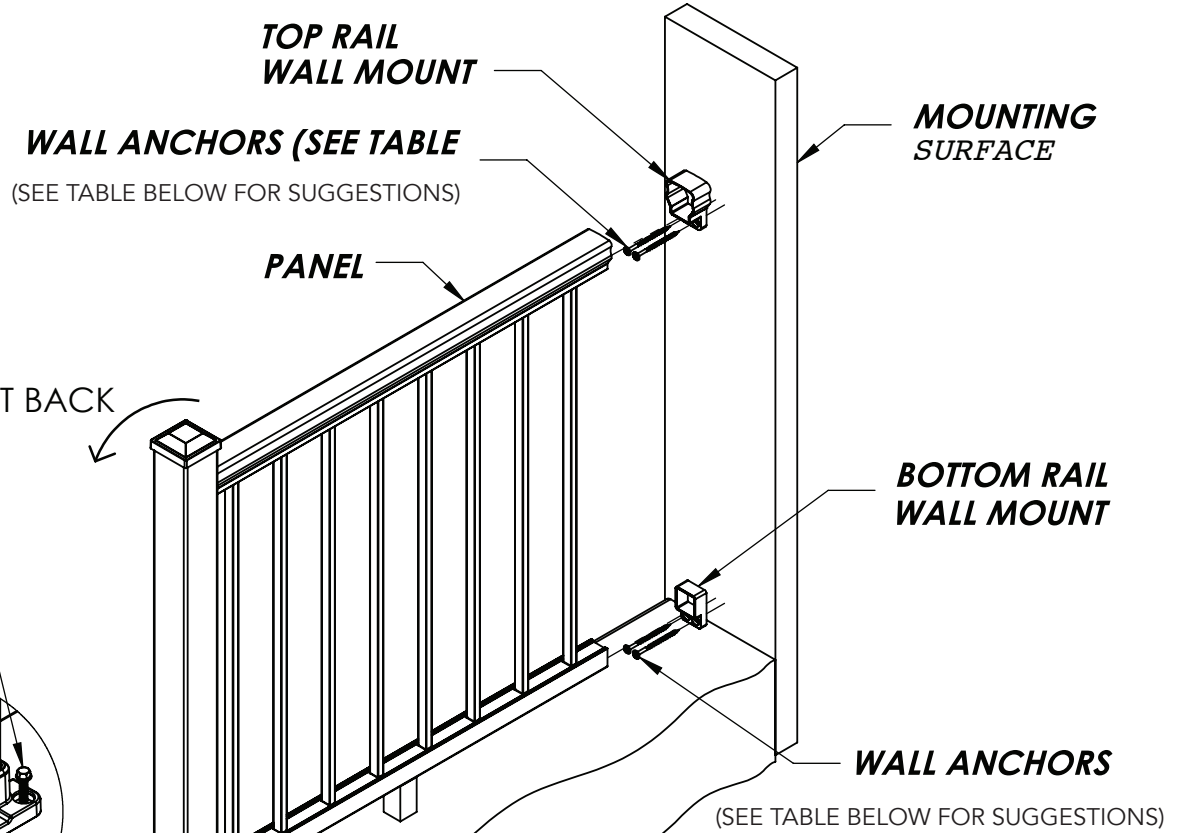


STEP FOUR: Attach support leg in desired location using provided color tek screw. (Figure 5)

STEP FIVE: Tilt post back to slide top rail wall mount and bottom rail wall mount onto panel. (Figure 6)

STEP SIX: Attach wall mounts to mounting surface using wall anchors. (Figure 6)
 (SEE TABLE BELOW FOR SUGGESTIONS)

FIGURE 6



4X BASE PLATE ANCHORS

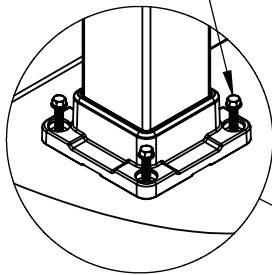


FIGURE 7

STEP SEVEN: Tighten 4x post base anchors as shown in (Figure 7).

WALL MOUNT ANCHOR SUGGESTIONS		
SUBSTRATE	DESCRIPTION	SKU
CONCRETE/BLOCK/BRICK	5/16" X 3" TAPCON CONCRETE ANCHOR	2327303
WOOD	5/16" X 4" GRK RSS EXTERIOR SCREW	2300231