

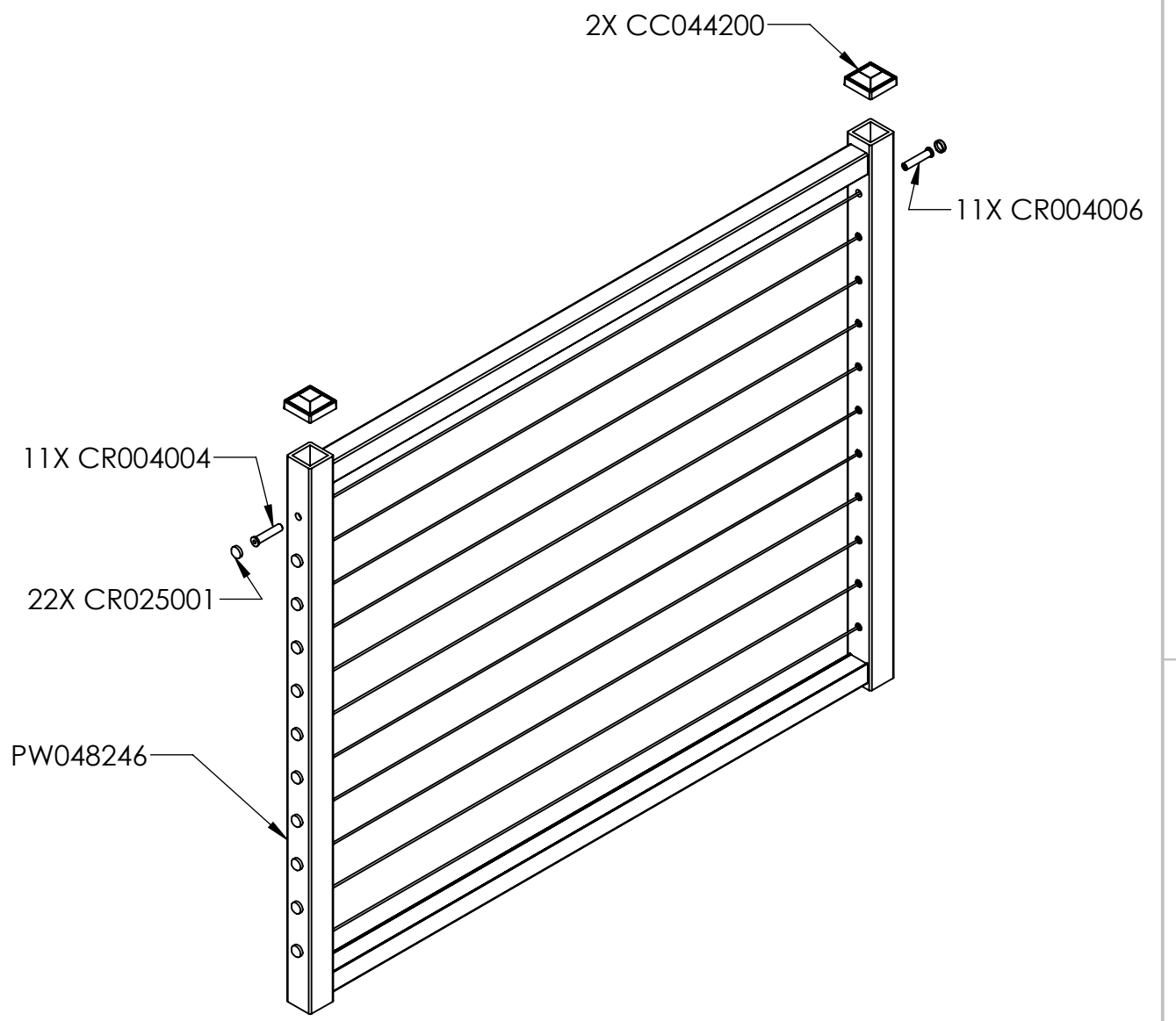
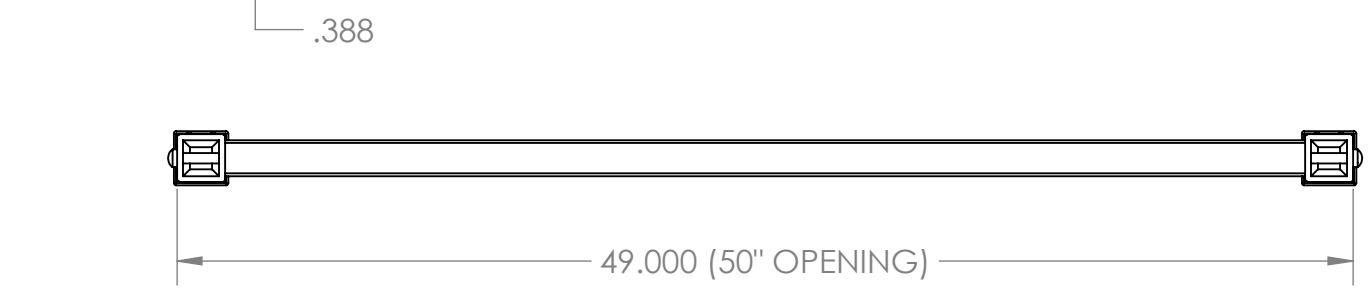
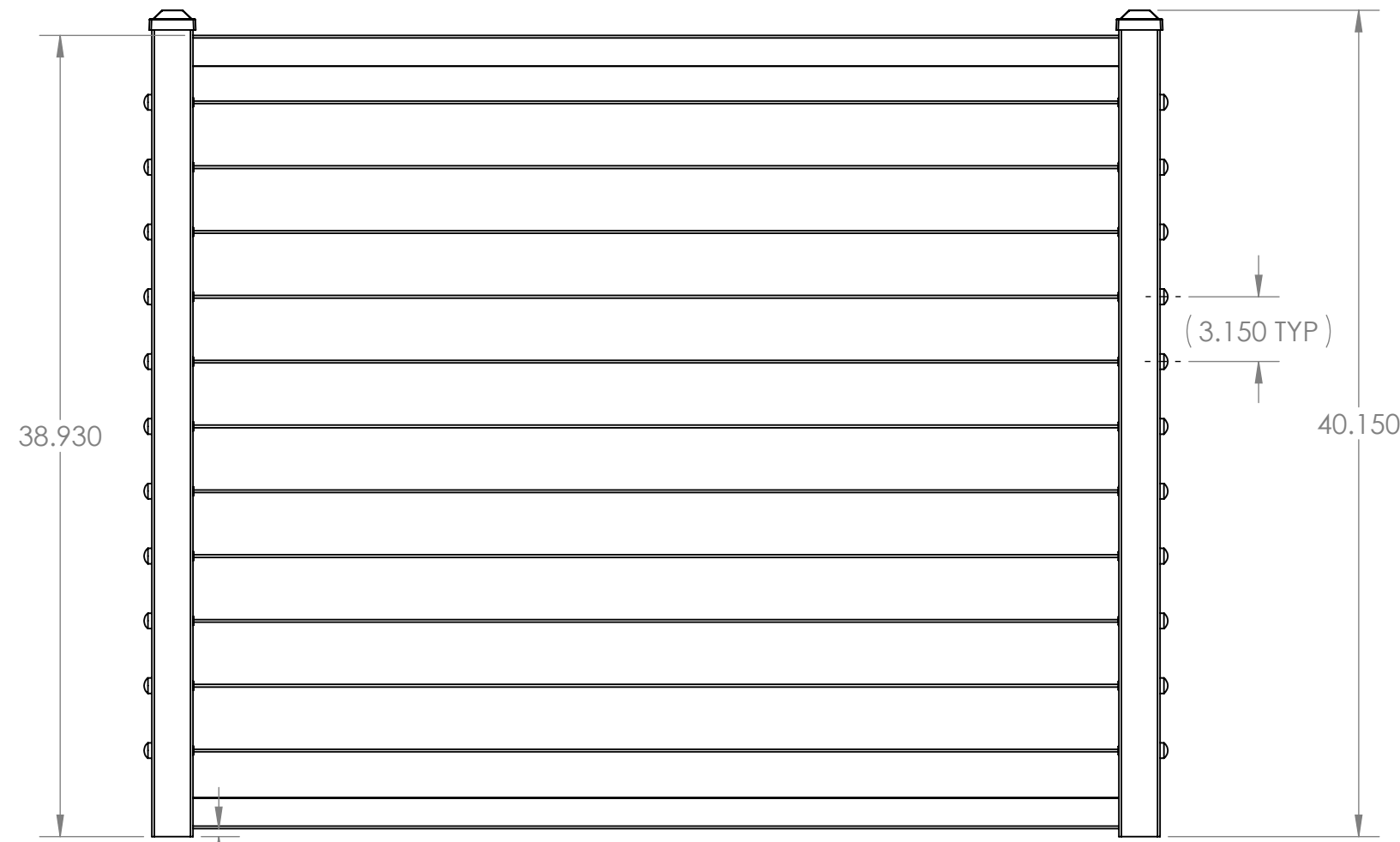
4

3

2

1

REVISIONS			
REV.	DESCRIPTION	DATE	APPROVED
A	PRODUCTION RELEASE	8/4/2025	DLF



- NOTE:
1. ALL RAIL MUST BE ASSEMBLED AND FASTENED IN ACCORDANCE WITH ULTRALOX INSTALLATION INSTRUCTIONS.
 2. AVAILABLE COLORS ARE BLACK - WHITE - BRONZE.
 3. GATE HARDWARE NOT SHOWN

APPLIES TO:
 CG481449
 CG681449

UNLESS OTHERWISE SPECIFIED:		NAME	DATE	
DIMENSIONS ARE IN INCHES		DRAWN		
TOLERANCES: SURFACE FINISH: 125 RMS		CHECKED		
ANGULAR: .5°		ENG APPR.		
TWO PLACE DECIMAL ± .020		MFG APPR.		TITLE: SHOP DRAWING HORIZONTAL CABLE GATE 42" X 49" (50" OPENING)
THREE PLACE DECIMAL ± .010		THIRD ANGLE PROJECTION:		SIZE DWG. NO. REV
INTERPRET GEOMETRIC TOLERANCING PER:	MATERIAL			B CG081449
FINISH	PROPRIETARY AND CONFIDENTIAL THE INFORMATION CONTAINED IN THIS DRAWING IS THE SOLE PROPERTY OF UltraLox. ANY REPRODUCTION IN PART OR AS A WHOLE WITHOUT THE WRITTEN PERMISSION OF UltraLox IS FORBIDDEN.			WEIGHT: SHEET 1 OF 1
DO NOT SCALE DRAWING				

4

3

2

1