

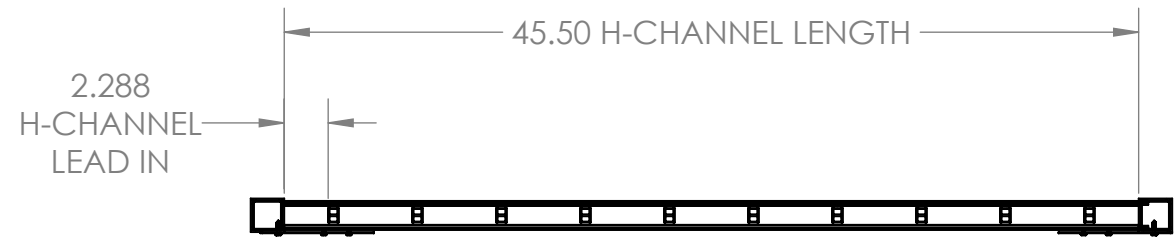
4

3

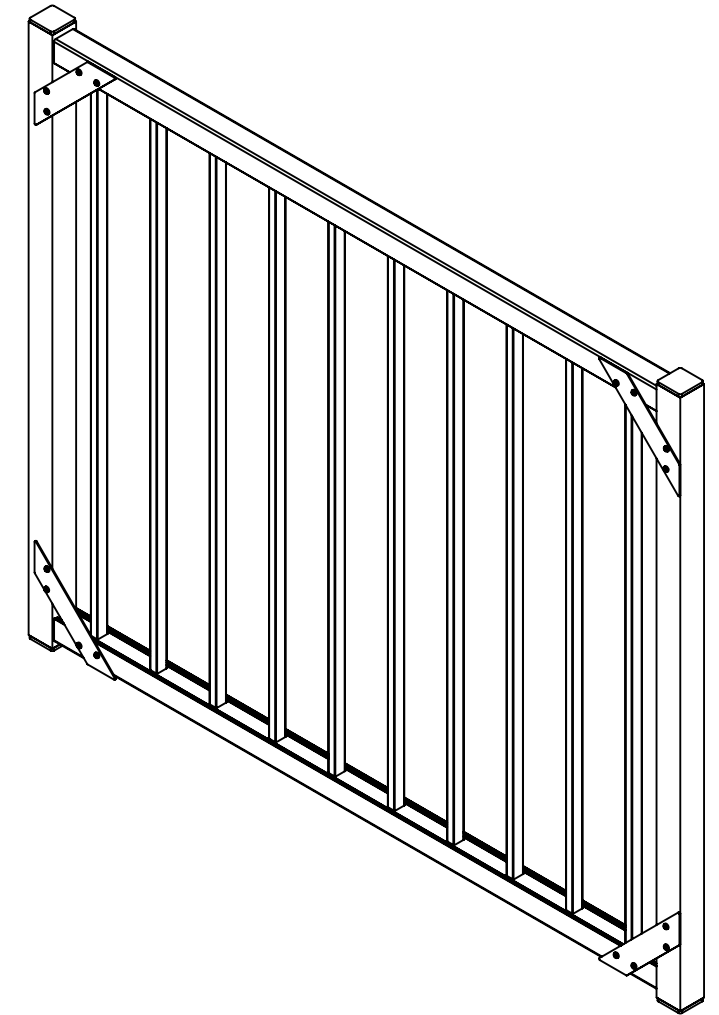
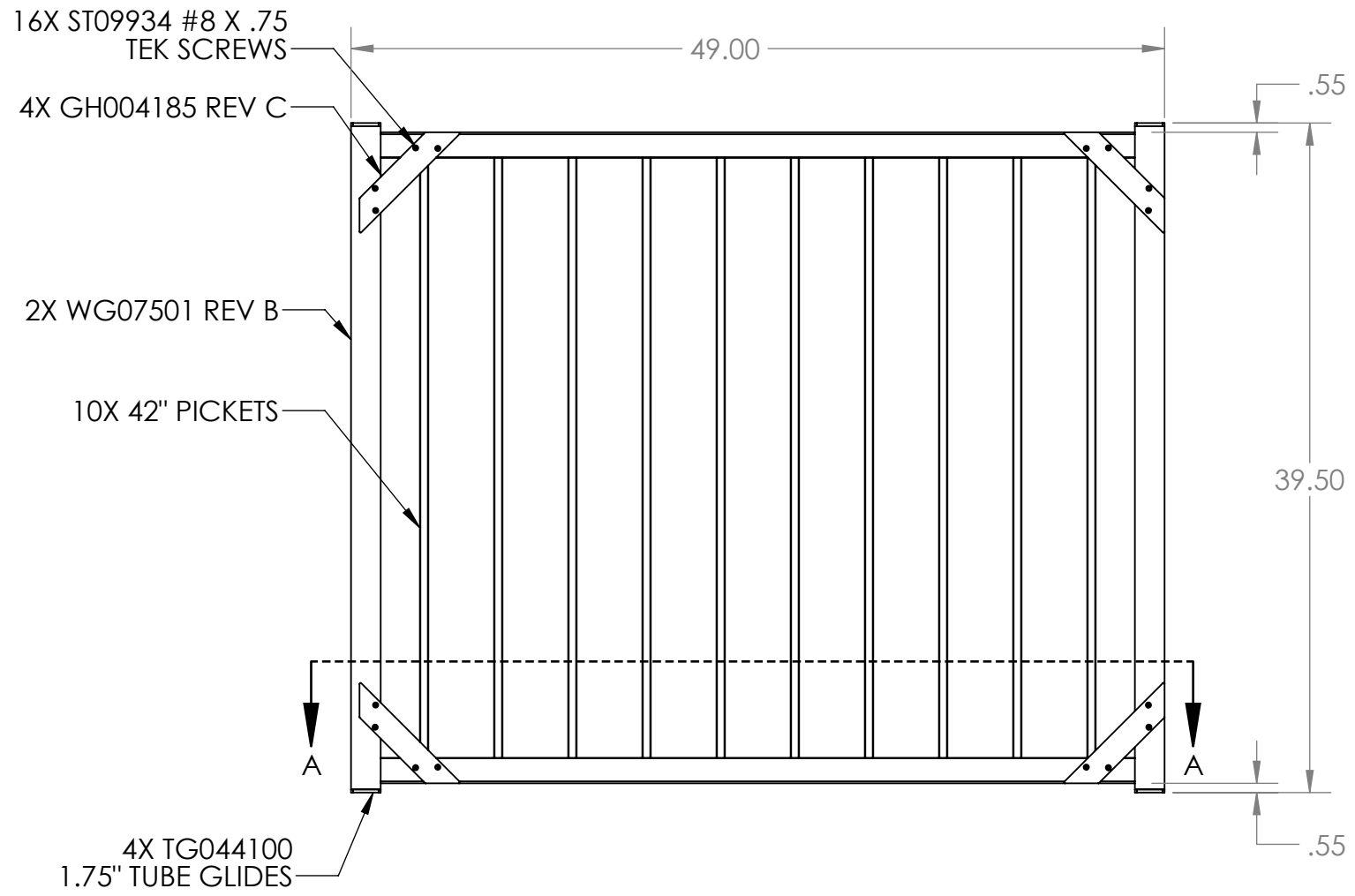
2

1

REVISIONS - 0 BALLOONS DENOTE CHANGES			
REV.	DESCRIPTION	DATE	APPROVED
A		03/12/24	ZAG



SECTION A-A



UNLESS OTHERWISE SPECIFIED: DIMENSIONS ARE IN INCHES TOLERANCES: SURFACE FINISH: 125 RMS ANGULAR: ±.5 DEG LINEAR: .X ±.02 .XX ±.010 .XXX ±.005	THIRD ANGLE PROJECTION:		INTERPRET GEOMETRIC TOLERANCING PER: ASME Y14.5-2009		TITLE: SHOP DRAWING, WILLIAMS GATE, 42" X 49"	
	MATERIAL:	PROPRIETARY AND CONFIDENTIAL THE INFORMATION CONTAINED IN THIS DRAWING IS THE SOLE PROPERTY OF UltraLox. ANY REPRODUCTION IN PART OR AS A WHOLE WITHOUT THE WRITTEN PERMISSION OF UltraLox.				
	FINISH:	DO NOT SCALE DRAWING	SIZE DWG. NO. B WG07520			REV A
	SCALE: 1:6 WEIGHT:		SHEET 1 OF 1			

4

3

2

1

B

B

A

A