

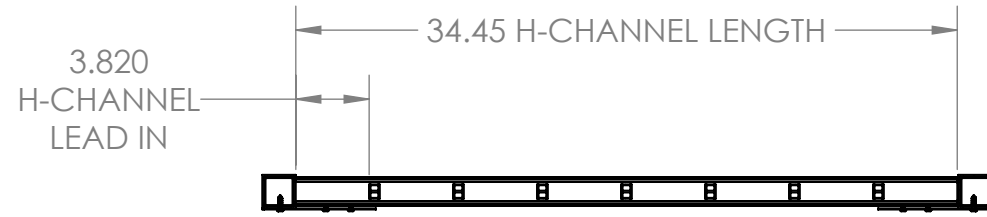
4

3

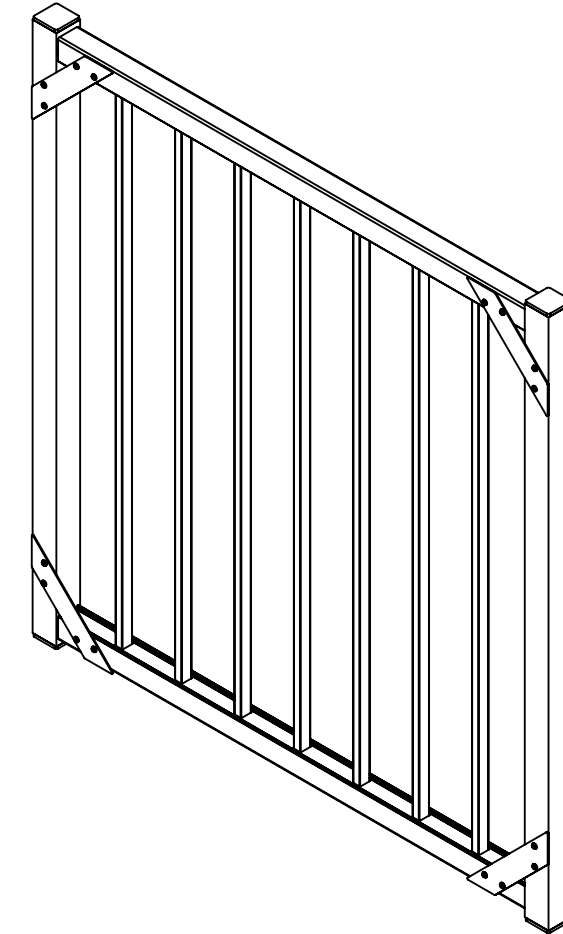
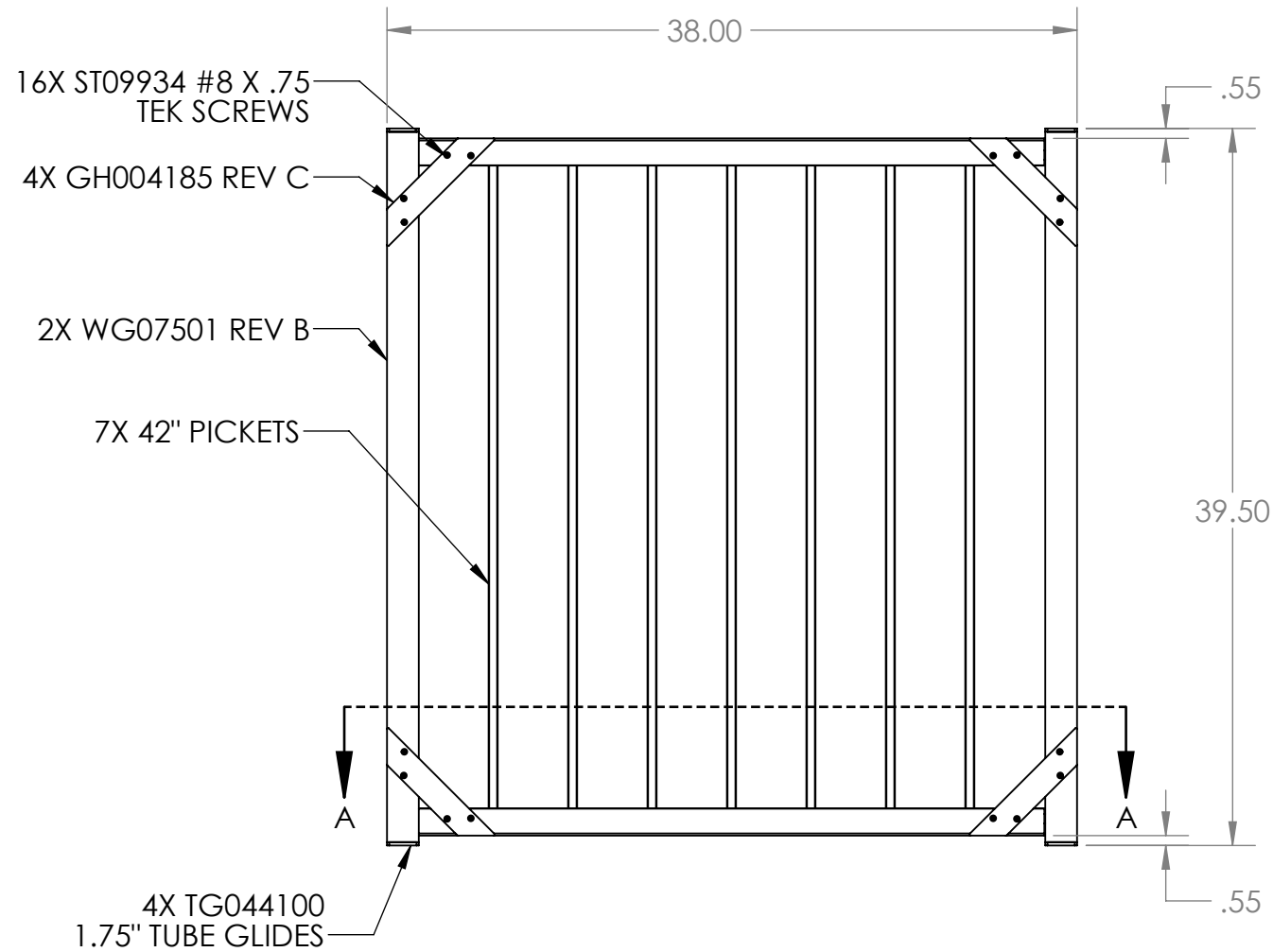
2

1

REVISIONS - 0 BALLOONS DENOTE CHANGES			
REV.	DESCRIPTION	DATE	APPROVED
A		04/04/24	ZAG



SECTION A-A



UNLESS OTHERWISE SPECIFIED:		NAME	DATE	
DIMENSIONS ARE IN INCHES		DRAWN	VINH 04/04/24	
TOLERANCES:		CHECKED		TITLE: SHOP DRAWING, WILLIAMS GATE, 42" X 38" (FOR 39" OPENING)
SURFACE FINISH: 125 RMS		ENG APPR.		
ANGULAR: ±.5 DEG		MFG APPR.		
LINEAR: .X ±.02		INTERPRET GEOMETRIC TOLERANCING PER: ASME Y14.5-2009		SIZE DWG. NO. B WG07516
.XX ±.010		PROPRIETARY AND CONFIDENTIAL THE INFORMATION CONTAINED IN THIS DRAWING IS THE SOLE PROPERTY OF UltraLox. ANY REPRODUCTION IN PART OR AS A WHOLE WITHOUT THE WRITTEN PERMISSION OF UltraLox.		
.XXX ±.005				REV A
THIRD ANGLE PROJECTION:				SCALE: 1:6
MATERIAL				WEIGHT:
FINISH				SHEET 1 OF 1
DO NOT SCALE DRAWING				

4

3

2

1

B

B

A

A