

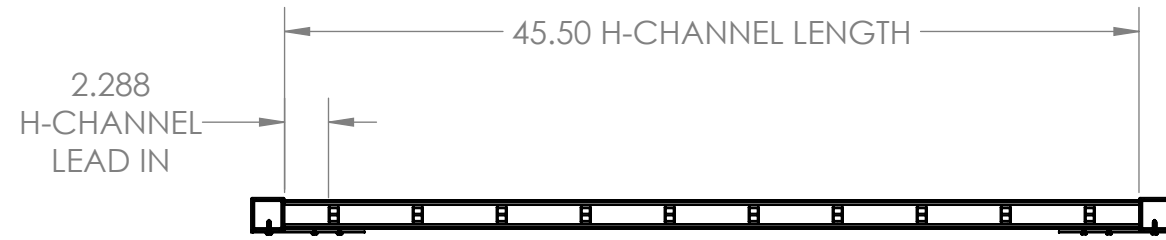
4

3

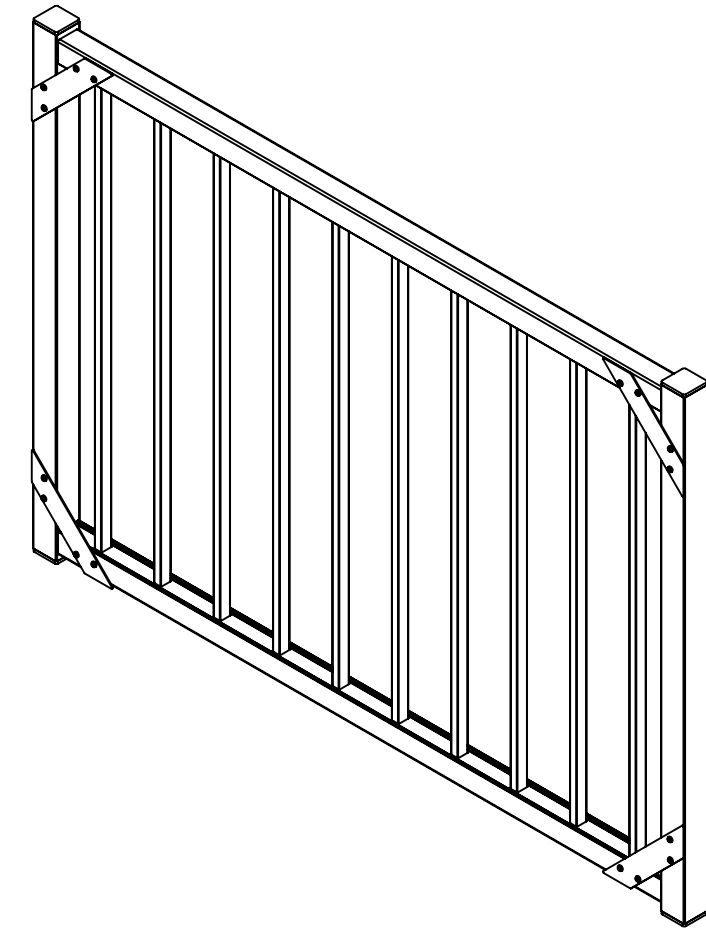
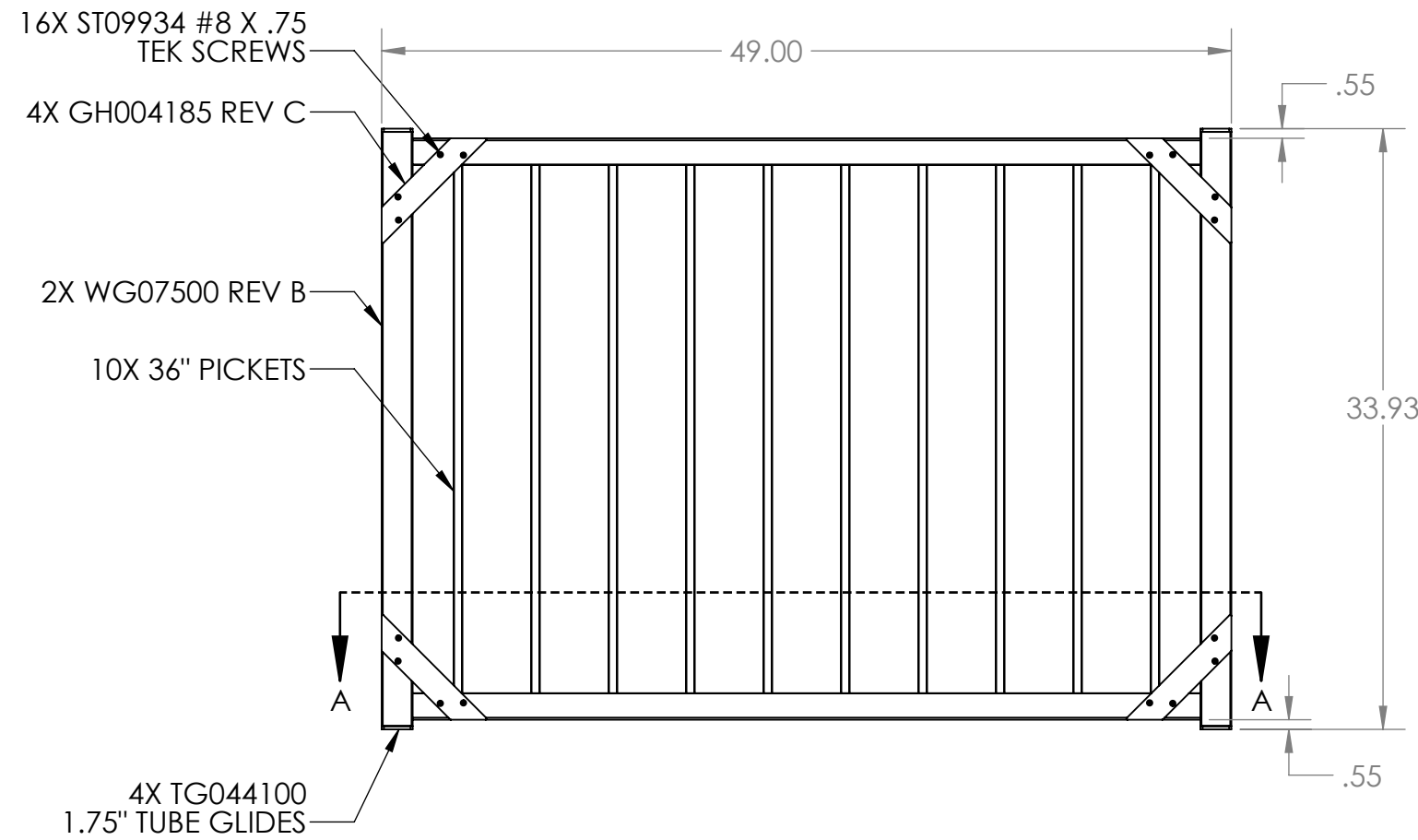
2

1

REVISIONS - 0 BALLOONS DENOTE CHANGES			
REV.	DESCRIPTION	DATE	APPROVED
A		03/12/2024	ZAG



SECTION A-A



UNLESS OTHERWISE SPECIFIED:		NAME	DATE	
DIMENSIONS ARE IN INCHES		DRAWN	VINH 03/12/24	
TOLERANCES:		CHECKED		
SURFACE FINISH: 125 RMS		ENG APPR.		
ANGULAR: ±.5 DEG		MFG APPR.		TITLE: SHOP DRAWING, WILLIAMS GATE, 36" X 49"
LINEAR: .X ±.02		INTERPRET GEOMETRIC TOLERANCING PER: ASME Y14.5-2009		SIZE DWG. NO. REV
.XX ±.010		MATERIAL		B WG07518 A
.XXX ±.005		FINISH		SCALE: 1:6 WEIGHT: SHEET 1 OF 1
THIRD ANGLE PROJECTION:		<p>PROPRIETARY AND CONFIDENTIAL</p> <p>THE INFORMATION CONTAINED IN THIS DRAWING IS THE SOLE PROPERTY OF UltraLox. ANY REPRODUCTION IN PART OR AS A WHOLE WITHOUT THE WRITTEN PERMISSION OF UltraLox.</p>		
DO NOT SCALE DRAWING				

4

3

2

1