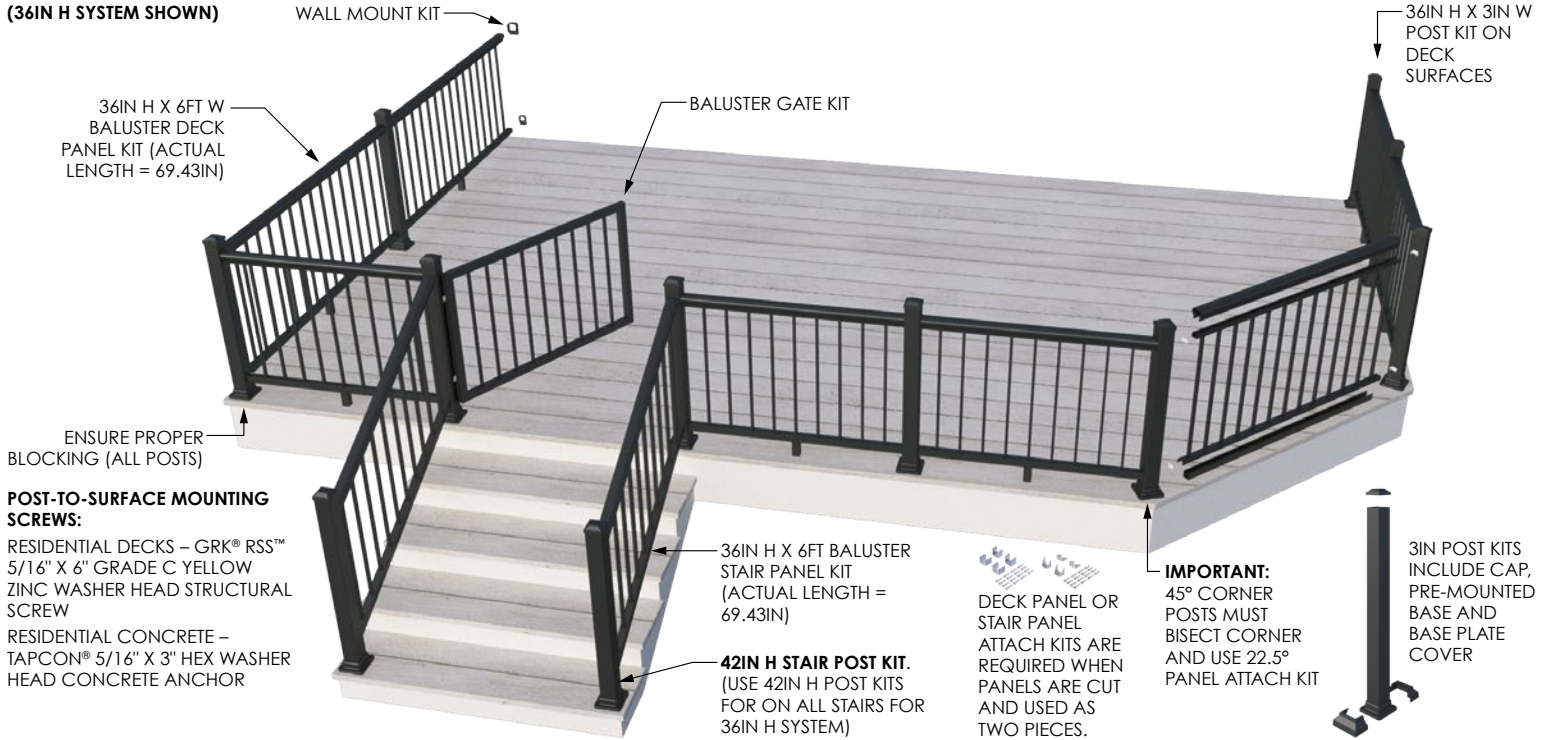


PICKET PANEL OVERVIEW

(36IN H SYSTEM SHOWN)



Prior to construction, check with your local regulatory agency for special code requirements in your area. Common railing height is 36in H or 42in H. Never span posts more than 8ft on center for picket railing systems. Always ensure there is proper blocking under each post as per diagram above and as per installation instructions. Read installation instructions and view installation videos to get a complete understanding of how the Williams products assemble.



FIND INSTALLATION INSTRUCTIONS AND
 INSTALLATION VIDEOS AT
WILLIAMSRAILING.COM

IMPORTANT NOTES:

- Actual picket panel sizes: 6ft W Panels = 69.43in; 8ft W Panels = 91.31in.
- 3in posts are required to reach 6ft & 8ft lengths.
- MAXIMUM POST SPANS ON STAIR RAILING APPLICATIONS IS 70in ON CENTER.
- Stair railing panels are shipped at a 37° angle. Panels are adjustable and will accommodate 30-40° stair angles. **CAUTION:** Over adjusting stair panels will cause loose and rattling pickets.
- 42in H post kits are required for middle and bottom stair posts when installing a 36in H railing system.
- 48in H post kits are required for middle and bottom stair posts when installing a 42in H railing system.
- 45° deck angles require 22.5° clips applied to each side of the post. The 22.5° clip kit is sold **SEPARATELY**.
- Two 3in posts are recommended on top of deck surface if stair riser is not at a 90° angle from deck frame.

PICKET PANEL PLANNER

WHAT YOU WILL NEED	QTY	BLACK	WHITE	BRONZE
PRE-ASSEMBLED ALUMINUM PICKET PANELS				
36in H x 6ft W Picket Panel (actual length 69.43in)		1717800 D	1717804 D	1717803 S
36in H x 8ft W Picket (actual length 91.31in)		1717806 D	1717810 D	1717809 D
42in H x 6ft W Picket Panel (actual length 69.43in)		1717891 M	1717893 M	1717895 M
PREASSEMBLED ALUMINUM STAIR PANELS				
36in H x 6ft W Stair Panel (actual length 69.43in)		1717812 D	1717816 D	1717815 S
36in H x 8ft W Stair Panel (actual length 91.31in)		CS252308B M	CS252308W M	CS252308Z M
42in H x 6ft W Stair Panel (actual length 69.43in)		1717903 M	1717905 M	1717907 M
ALUMINUM POST KITS Include: assembled post and base plate, post cap and post base plate vinyl skirt.				
36in H x 3in W Aluminum Post Kit (actual length 38.25in)		1717819 D	1717823 D	1717822 S
42in H x 3in W Aluminum Post Kit (actual length 43.5in)		1717824 D	1717829 D	1717828 S
48in H x 3in W Aluminum Post Kit (actual length 48in)		1717916 M	1717917 M	1717915 M
ADDITIONAL KITS				
Straight Wall Mount Kit		1717851 D	1717852 D	1717848 S
Jig/Touch-up Paint		1717864 D	1717866 D	1717862 S
Jig/Touch-up Paint – Piano/Tuxedo		P/N: JK09700P S		
Gate Kit (adjustable up to 40in wide)		1717854 D	1717858 D	1717857 D
Deck Panel Attach Kit		1717836 S		
22.5° Panel Attach Kit		1717839 D		
45° Wall Mount Kit		1717842 D		
Stair Panel Attach Kit		1717845 S		
HARDWARE				
GRK® RSS™ 5/16in x 6in Grade C Yellow Zinc Washer Head Structural Screw		SKU: 2300203 S		
Tapcon® 5/16in x 3in Hex Washer Head Concrete Anchors		SKU: 2327302 S		

S=Stocked in Stores D=Menards Distribution Center M=Special Order from Manufacturer

HELPFUL ORDERING INFORMATION:

- Picket section kits include attachment clips and screws. If panels are cut and two pieces are used for installation, a Deck Panel Attach Kit must be purchased.
- Anchors and fasteners to secure posts to concrete or wood are **NOT INCLUDED** in kits.
- Maximum post spacing on deck for picket railing is 8ft on center.

Use part number listed under desired color identifier: B=Black, W=White, Z=Bronze

ACCESSORIES:



Gate Kits and Hardware
page 4



Lighting Options
page 5



ADA Handrail Kits
page 6

TOOLS RECOMMENDED FOR INSTALLATION



Cordless Drill
(hammer drill for concrete)



Level



Tape Measure and Pencil



Safety Glasses



Bar Clamps



Miter Saw
(with nonferrous blade)



84-Tooth Nonferrous
Blade



3/16in Drill Bit
3/16in Masonry Drill Bit
(concrete applications)
5/16in and 5/8in Drill Bits
(for LED Lighting application)



6in #2 Square Drive Bit



Horizontal Cable
Tool Kit



Cable Gripper Tool



Stainless Steel Cable
Cutter

RECOMMENDED POST-TO-SURFACE HARDWARE

WOOD OR COMPOSITE DECKING

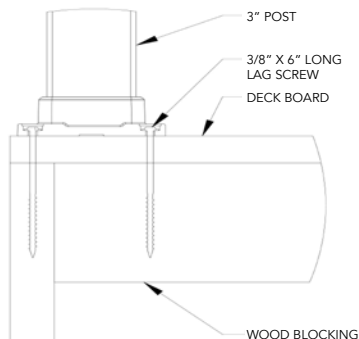


GRK® RSS™ 5/16in x 6in Grade C Yellow Zinc Washer Head Structural Screw

Residential applications only.
Available at Menards.

SKU: 2300203

Stocked in stores.



CONCRETE APPLICATIONS

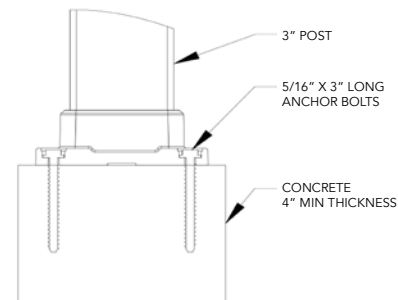


Tapcon® 5/16in x 3in Hex Washer Head Concrete Anchor

Residential applications only.
Available at Menards.

SKU: 2327302

Stocked in stores.



S=Stocked in Stores; D=Menards Distribution Center; M=Special Order from Manufacturer