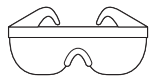


# INSTALLATION INSTRUCTIONS

## VERTICAL CABLE RAILING REPLACEMENT KIT

### 36" SYSTEM WITH 3" ALUMINUM POSTS

#### ITEMS REQUIRED FOR INSTALLATION



SAFETY GLASSES



CUT-OFF TOOL



HEX WRENCH  
(INCLUDED WITH VERTICAL CABLE  
REPLACEMENT KIT)



6" #2 SQUARE  
DRIVE BIT



CORDLESS  
DRILL



CABLE CUTTING TOOL  
(OPTIONAL)

THESE INSTRUCTIONS COVER REPLACEMENT OF A VERTICAL CABLE RAILING CABLE. PLEASE VISIT MANUFACTURER'S WEBSITE FOR FULL INSTRUCTIONS.

It is the responsibility of the installer to meet all local code requirements and obtain all required building permits. The installer should determine and implement appropriate installation techniques for each installation situation. The manufacturer or its reseller shall not be held responsible for improper or unsafe installation.

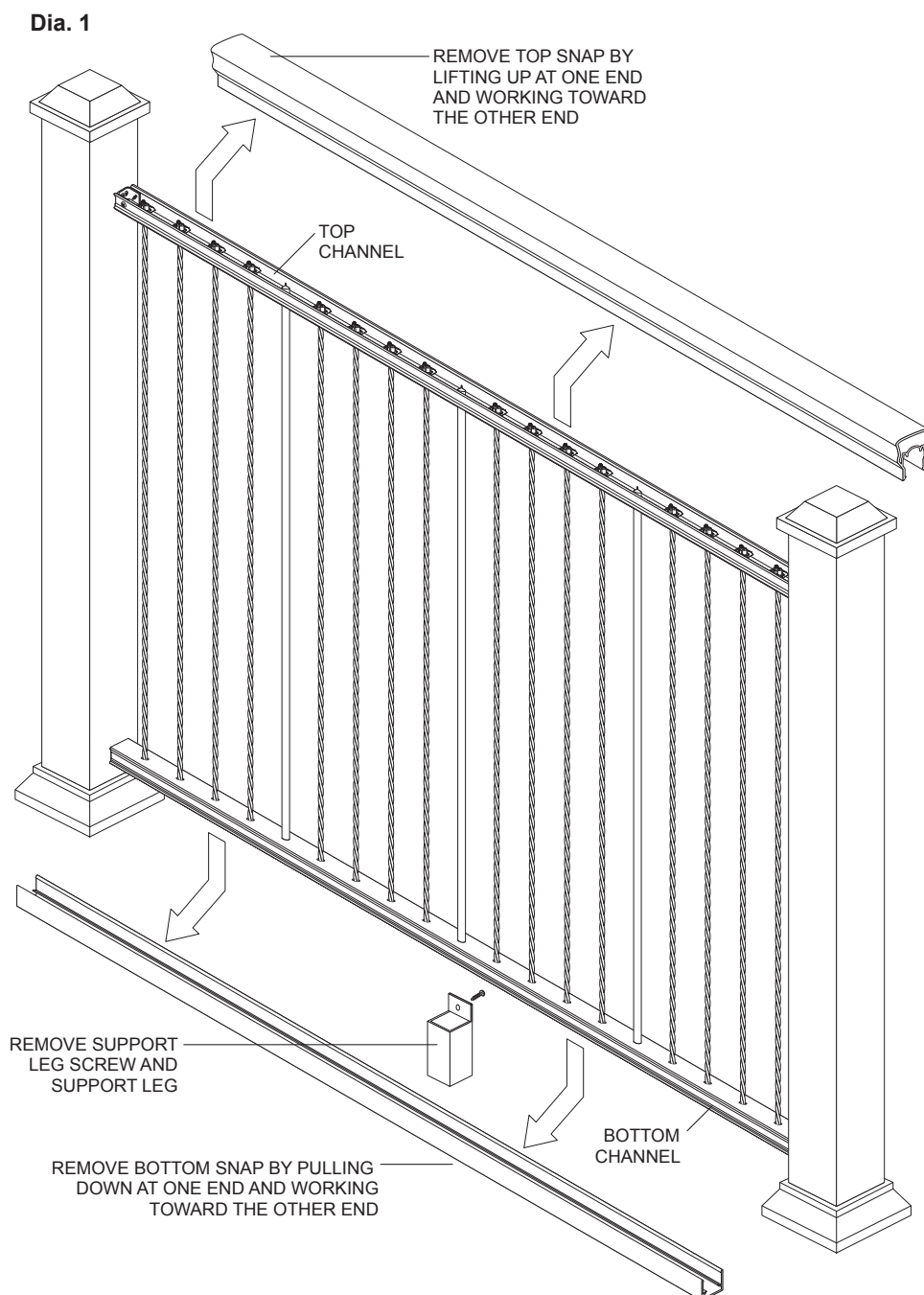
#### WHAT'S INCLUDED WITH VERTICAL CABLE RAILING REPLACEMENT KITS:

- (1) Level Panel Cable
- (1) Stair Panel Cable
- (1) Repair Collar with Set Screw
- (1) Tension Block with Set Screws
- (1) Hex Wrench
- Instructions

#### 1 Remove Both Rail Snaps and Support Leg

Remove the Top Snap, the #8 Self-Tapping Screw in the Support Leg, the Support Leg and the Bottom Snap. (Dia. 1)

Cut and remove damaged cable.



## 2 Feed Cable

Choose your cable. The cable with the angled swage is for stair applications; the other is for deck applications. Feed the replacement cable up through the Bottom Channel, then the Top Channel, leaving the swaged end at the bottom. (Dia. 2)

## 3 Prepare Cable End

Move Repair Collar down over top end of cable. Pull slack from the cable and use provide hex wrench to tighten set screw to hold Repair Collar onto Cable. **Note:** a locking pliers may be needed to pull up slack. (Dia. 3)

## 4 Tension Cable

Slide Tension Block between Repair Collar and Top Channel with set screw points facing down (Dia. 4)

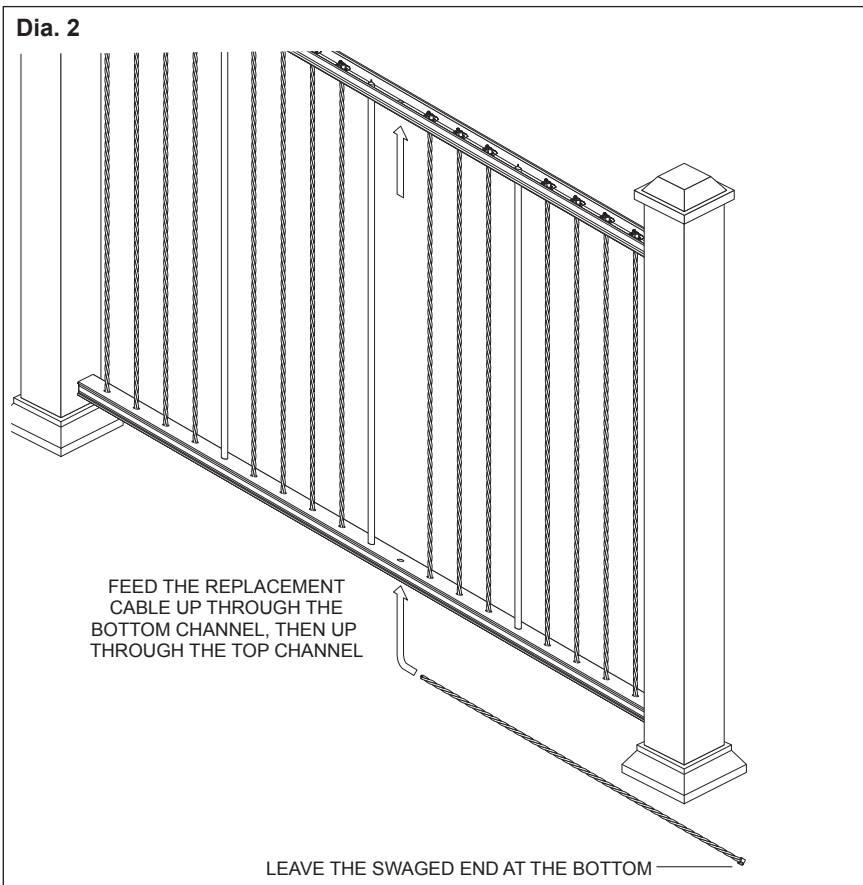
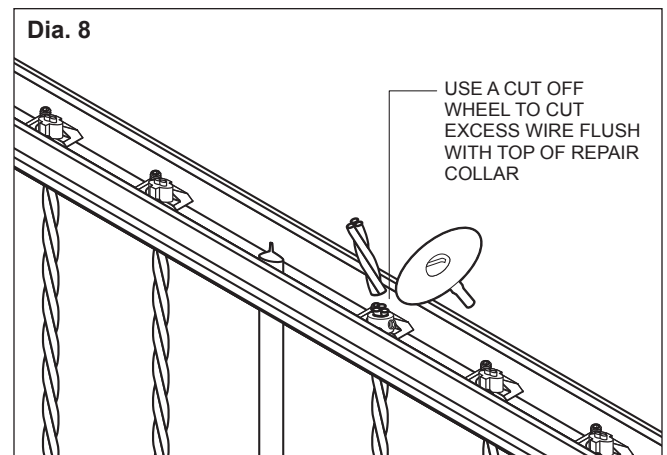
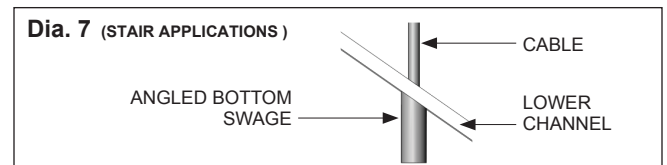
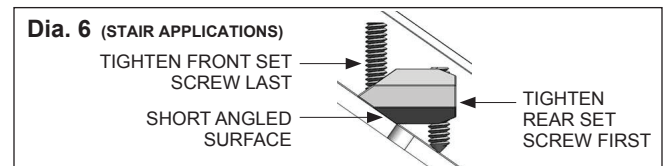
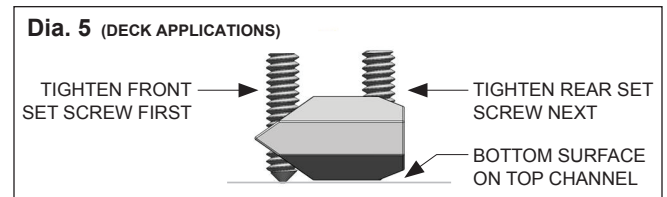
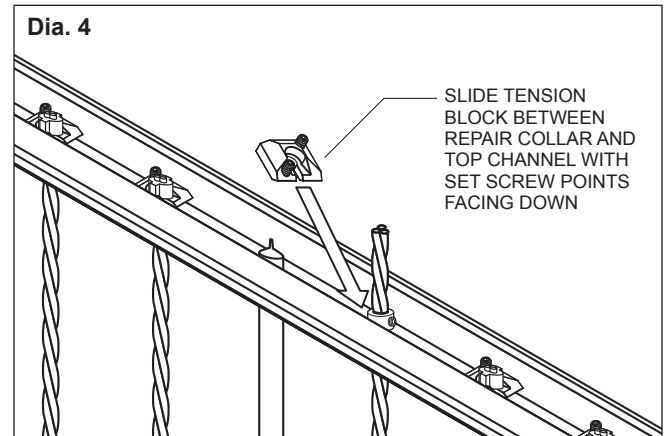
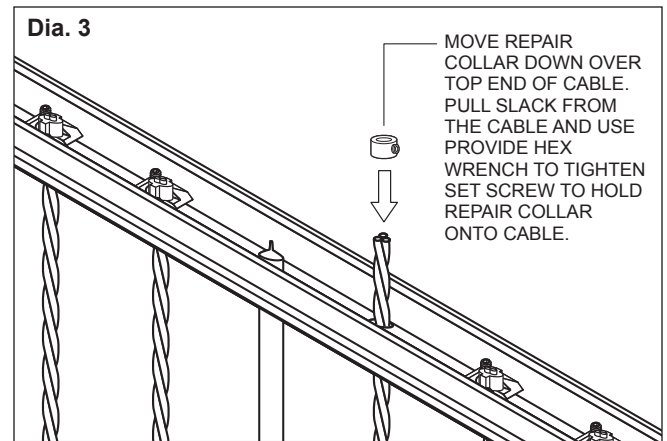
- Gently turn set screws just until cable is tight
- Make sure Repair Collar and Tension Block don't stick up over the Top Channel
- **TIP:** Tighten the front set screw first, just until it reaches the channel. Then tighten the rear set screw. This helps to keep everything level. (Dia. 5) **CAUTION:** DO NOT OVER TIGHTEN SET SCREW!
- **Stair Applications:** Tension blocks must rotate to short angled surface for stair panel applications (Dia. 6). Rotate angled bottom swage to match the angle of the lower rail in stair panel (Dia. 7).

## 5 Cut Excess Wire

Use a cut off wheel to cut excess wire flush with top of Repair Collar. (Dia. 8)

## 6 Replace Rail Snaps and Support Leg

Reattach the top channel, bottom channel, and center support.



07/2021 - Version 1.0 - part number WIVC481300K