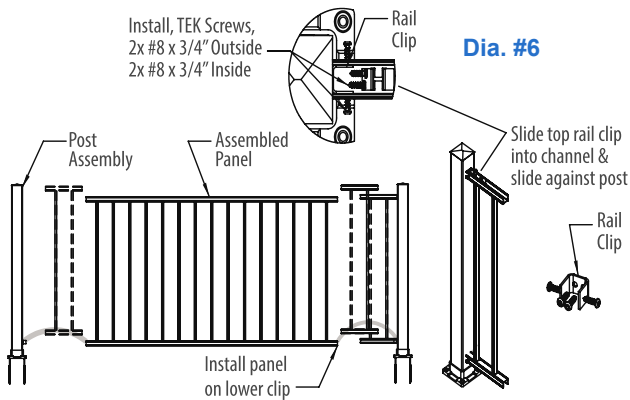


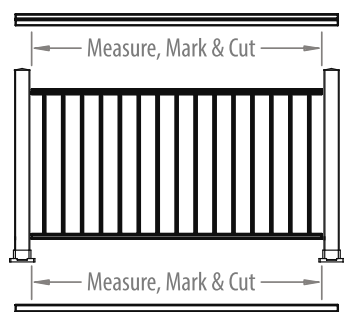
STEP FOUR - Secure Deck Panels to Posts

- Slide bottom channel of pre-cut panel on to lower clip. (Dia. #6)
- Insert clips into top channel of panel on each end.
- Using (4) - #8x3/4" TEK screws, attach the upper 2-clips to the post.
- Using (8) - #8x3/4" TEK screws, secure the upper and lower clips to the panel.

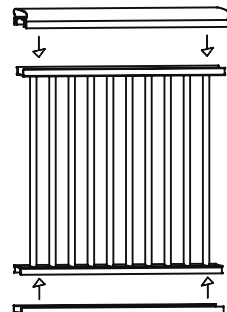


STEP FIVE - Cut and Install Top and Bottom Rail Snaps

- Measure between posts at the top and bottom. (Dia. #7)
- Cut top & bottom snap covers 1/16" less than opening.
- Clean cut areas and apply touch-up paint on all exposed metal.
- Snap each rail snap over the corresponding rail channel until properly seated. (Dia. #8) **TIP:** If snap will not seat, try installing support leg. Then apply pressure to snap starting from one end.



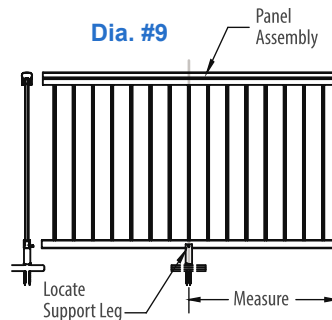
Dia. #7



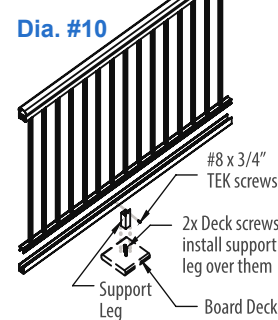
Dia. #8

STEP SIX - Install Support Legs

- For openings greater than 4', install support legs under center of bottom rail (Dia. #9)
- Slide support leg under bottom rail and mark.
- Install two deck screws at location of support leg, install support leg over screws.
- Using (1) - #8x3/4" TEK screws, secure the support leg to bottom rail. (Dia. #10)



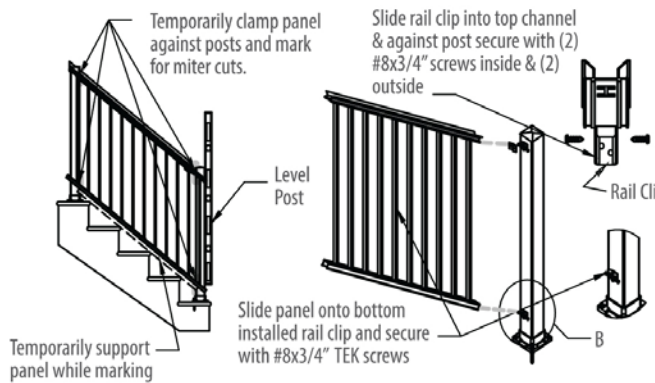
Dia. #9



Dia. #10

STEP SEVEN - Install Stair Panels

- Hold or temporarily clamp stair panel against posts and adjust for equal end spacing (Dia. #11)
- Mark the panel at 4 locations of post connection.
- Miter cut panel at marked locations and place panel in opening. Cut rail 1/16" less than opening.
- Mark posts for location of bottom rail clips.
- Remove panel and install lower clips. (Dia. #12)
- Clean cut areas & apply touch-up paint on exposed metal.
- Place cut panel between posts, push rail onto bottom clips, place clips into upper channel, attach clips to post and secure panel to all clips as per Step 4. (Dia. #6)
- Miter cut and install top and bottom rails as per Step 5. (Dia. #7 & #8)



Dia. #11

Dia. #12



Aluminum Picket Railing Installation Instructions

Videos available at www.williamsrailing.com

SUGGESTED TOOLS:

Cordless Drill	Level
Pencil	Tape Measure
Safety Glasses	6" #2 Sq. Drive Bit
Miter Saw W/Non-Ferrous Blade	3/16" Drill Bit

IMPORTANT NOTES:

- Actual picket panel sizes: 6' Panels = 69.43"; 8' Panels = 91.31".
- 3" posts are required to reach 6' & 8' lengths.
- MAXIMUM POST SPANS ON STAIR RAILING APPLICATIONS IS 70" ON CENTER.
- Stair railing panels are shipped at a 37° angle. Panels are adjustable and will accommodate 30-40° stair angles. **CAUTION:** Over adjusting stair panels will cause loose and rattling pickets.
- 45° deck angles require 22.5° clips applied to each side of the post. The 22.5° clip kit is sold **SEPARATELY**.
- Two 3" posts are recommended on top of deck surface if stair riser is not at a 90° angle from deck frame.

NOTE: IF INSTALLING POST LIGHTING, WIRING MUST BE INSTALLED PRIOR TO SECURING POSTS TO DECK/STAIR SURFACE AND INSTALL IN TOP RAIL SNAPS.

It is the responsibility of the installer to meet all local code requirements and obtain all required building permits. The installer should determine and implement appropriate installation techniques for each installation situation. Williams Railing™ or its reseller shall not be held responsible for improper or unsafe installations.

****CONCRETE APPLICATIONS****

WHEN POSTS ARE SECURED TO CONCRETE SUBSTRATES USE TAPCON® 5/16" X 3" HEX WASHER HEAD CONCRETE ANCHORS (SOLD SEPARATELY)

REFERENCE BLOCKING METHOD 2X6 VERT.

USE (4) GRK® RSS™ 5/16" X 6" GRADE C YELLOW ZINC WASHER HEAD STRUCTURAL SCREWS TO SECURE POSTS TO DECK SURFACE. (SOLD SEPARATELY)

COLONIAL 36" X 6' PANEL KIT (ACTUAL LENGTH IS 69.43")

CAUTION
45° CORNERS POST MUST BI-SECT CORNER & USE 22.5° KIT

REF 45° CORNER

22.5° PANEL ATTACH KIT (USE FOR 45° CORNERS) SKU: 1717839

36" POST/BASE KIT ON DECK SURFACE

DECK PANEL ATTACH KIT REQUIRED WHEN DECK PICKET PANELS ARE CUT & USED AS 2-PIECES SKU: 1717836

GATE KIT, UP TO 40" OPENING SIZE

STRAIGHT WALL MOUNT KIT

COLONIAL 36" X 6' STAIR PANEL KIT (ACTUAL LENGTH IS 69.43")

STAIR PANEL ATTACH KIT REQUIRED WHEN STAIR PANEL IS CUT & USED AS 2-PIECES SKU: 1717845

42" POST/BASE KIT ON ALL STAIR TREADS

REFERENCE BLOCKING METHOD

DET. PLAN VIEW

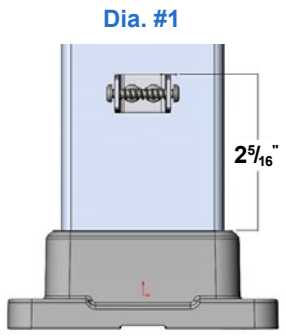
FOR OTHER INSTRUCTIONS AND VIDEOS, VISIT WWW.WILLIAMSRAILING.COM

STEP ONE – Determine necessary posts required and prepare (end, center or corner)

Install Lower Deck Rail Clips – Two Options:

Option A - When No Lower Rail Clip Jig Is Available

- Measure 2 5/16" from top of casting shoulder and place a pencil mark for location of the top edge of the rail clip. (Dia. #1)
- Center clip on post and secure with (2) - #8x3/4" TEK screws.



Option B - Using Lower Rail Clip Jig

- Place lower rail clip jig (w/arrow facing base plate) on top of base plate upper edge. (Dia. #2)
- Place clip in hole and fasten with (2) - #8x3/4" TEK screws.

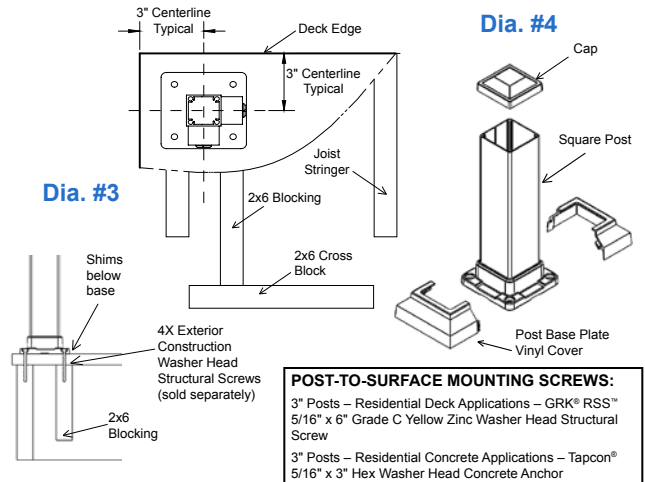


Dia. #2

Rest jig on Base Plate – Arrow Down
Place Clip in hole, hold clip firmly while installing (2) TEK Screws.

STEP TWO - Securing Posts to Deck

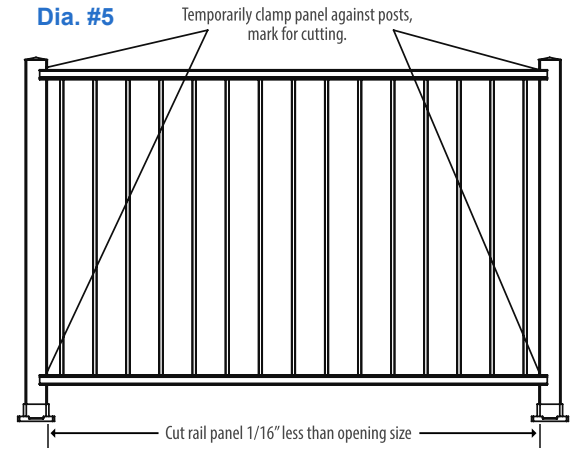
- Install proper post blocking as per (Dia. #3). Use proper attachment screws or anchors as directed below. (Deck screws at each post location, are not provided with kits).
- With 3/16" drill bit, pre-drill through deck boards and into blocking.
 - Level and plumb post using shims.
 - Secure posts to deck with suggested screws.
 - Install post cap and post base vinyl plate cover. (Dia. #4)



POST-TO-SURFACE MOUNTING SCREWS:
3" Posts – Residential Deck Applications – GRK® RSS™ 5/16" x 6" Grade C Yellow Zinc Washer Head Structural Screw
3" Posts – Residential Concrete Applications – Tapcon® 5/16" x 3" Hex Washer Head Concrete Anchor

STEP THREE - Cut Deck Panels

- Clamp or hold panel against post, adjust for equal end spacing. (Dia. #5)
- Mark the top and bottom rails.
- Cut panel 1/16" less than opening size.
- Clean cut areas and apply touch-up paint on exposed ends.



Dia. #5

Temporarily clamp panel against posts, mark for cutting.

Cut rail panel 1/16" less than opening size